

2238 LOOP POWERED COMBINED SENSOR BASE AND SOUNDER BEACON**APPLICATIONS**

The 2238 Loop Powered Combined Sensor Base and Sounder Beacon is fully compatible with our addressable range of advanced protocol smoke and heat sensors.

It is connected to the same circuit as other addressable devices and is therefore simple to install.

This sounder is ideally suited for use within offices, classrooms, shops, corridors, etc where a high sound output is not required or desirable.



(The 2238 shown with the 2234 Combined Photoelectric Smoke and Heat Sensor)

FEATURES

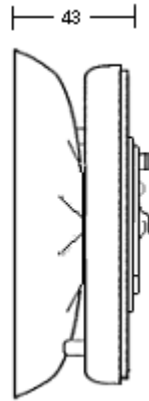
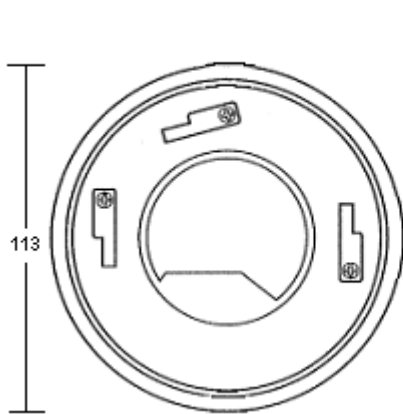
- Loop powered
- 51 tones available selectable via the control panel
- Variable Sound Output 50 ~ 98dB(A)
- Beacon and Sounder can be controlled independently
- Auto-shutdown mode

OPERATION

The 2238 Loop Powered Combined Sensor Base and Sounder Beacon is an addressable loop powered sounder with an integral LED Beacon, with both of these elements controllable independently or simultaneously via the Control Panel offering maximum flexibility.

The 2238 incorporates an auto-shutdown mode which is enabled via the Control Panel, this mode allows the user to set a fixed time within which the sounder and/or beacon elements will operate, before automatically deactivating themselves, ideal for minimising noise pollution for the sounder element. The maximum time selectable is 18 hours.

APPROVALS : Tested and approved to EN54 Part 5 & 7 by the Loss Prevention Council



SPECIFICATION

Order Code	2238
Operating Voltage	17 – 41Vd.c.
Quiescent Current	150uA
Low Power Mode	40uA
Operating Temperature	-10°C to +50°C
Sound Output (at 1 metre)	50-98dB(A) (±2dB(A)) at 24 Vdc or above
Tone Frequency Range	300Hz ~ 2850Hz
Material	PC + PS + GF5
Colour	Ivory White
Weight (g)	112
Dimensions	113 Diameter x 43 Depth
Ingress Protection	IP21
Fixing Centres	48mm through to 74mm
Maximum Humidity	95% RH – Non Condensing (at 40°C)