

2263 COMBINATION HEAT DETECTOR 90°C

APPLICATIONS

The 2263 Combined Rate of Rise Heat Detector is particularly suited to environments where extreme high ambient temperatures exist such as boiler rooms or over commercial cooking ranges and where smoke detection devices are unsuitable because of the presence of steam or cooking fumes. These devices are unsuitable for areas where rapid changes of temperature might occur as might be experienced if installed above an oven or autoclave.



OPERATION

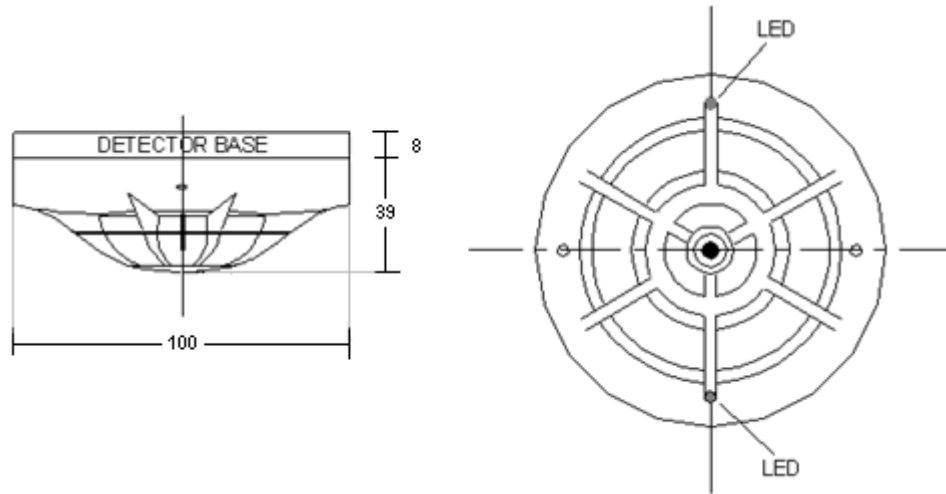
The 2263 Combination Heat Detector (90°C) is a Grade 1 device incorporating a highly linear thermistor circuit, with the thermistor being mounted externally. The specially designed case moulding protects the thermistor and at the same time ensures that airflow is not restricted. The thermistor circuit produces a voltage proportional to temperature, which is scaled, linearised and then used to trigger an internal latching circuit. The special plastic moulding is made of a high temperature plastic which reduces the risk of damage when testing the detector.

A 360° view of the sensor status is achieved through twin LEDs. The 2263 is supported by a wide range of bases for different applications and these are supported on the majority of conventional systems. A third terminal provides remote indicator output.

FEATURES

- Electronic linear heat detection
- Remote Indicator output
- Wide voltage range (9.5 ~ 30Vdc)
- Twin fire LED's allow 360° viewing
- Range of mounting bases
- Covers 50m²
- Special plastic moulding
- LPCB & VdS Approved

APPROVALS : Tested and approved to EN54 Part 8 by the Loss Prevention Council, VdS (G204045)



SPECIFICATION

Order Code	2263
Operating Voltage	9.5 – 30v DC, Nominally 24v DC
Quiescent Current	35uA at 24v DC
Alarm Current	40mA max at 24v DC
Operating Temperature	-10 ⁰ C to +50 ⁰ C
Material	Polycarbonate
Colour	Ivory White
Weight	76g (126g incl base)
Dimensions	100 Diameter x 39 Depth (48 Depth with base)
Ingress Protection	IP63
Base Fixing Centres	48 ~ 74
Maximum Humidity	95% RH – non condensing (at 40 ⁰ C)