

2268 WP FIXED TEMPERATURE HEAT DETECTOR 60°C**APPLICATIONS**

The 2268 Weatherproof Fixed Temperature Heat Detector is designed to detect an increase in ambient temperature, which exceeds its fixed operating temperature. They are especially effective in places where sudden changes in temperature are common. The 2268 is particularly suited to environments, which are exposed to high levels of condensation or are hosed down.

**FEATURES**

- Waterproof design – rated to IP67
- Low Profile Shape
- Utilises bi-metallic strip to sense temperature change
- Minimal standby current
- Covers 50m²
- No Mounting base required
- LPCB & VdS Approved

OPERATION

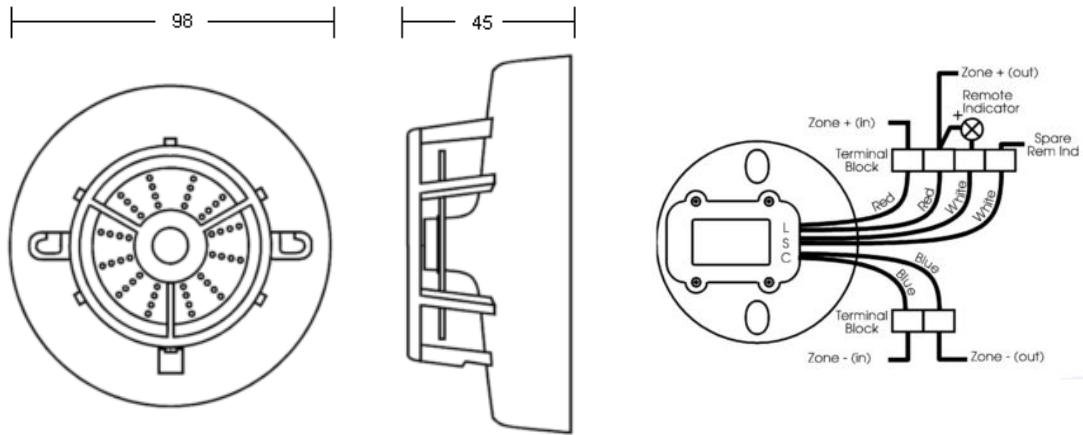
The 2268 Weatherproof Fixed Temperature Heat Detector (60°C) incorporates a highly linear thermistor circuit, with the thermistor being mounted externally. The 2268 uses a bi-metallic strip to sense temperature change, therefore consuming minimal standby current and providing high reliability. The detector has a wide operating margin allowing it to respond to both slow and fast increases in temperature, it can also sense temperature reliably in a horizontal or vertical position.

The specially designed case moulding protects the thermistor and at the same time ensures that airflow is not restricted. The thermistor circuit produces a voltage proportional to temperature, which is scaled, linearised and then used to trigger an internal latching circuit. The special plastic moulding is made of a high temperature plastic which reduces the risk of damage when testing the detector.

The 2268 requires no mounting base as short flying leads are provided for connection to the conventional zone and remote LED.

A 360° view of the sensor status is achieved through twin LEDs. Different colour LEDs are used to distinguish between the Fixed Temperature and Combination (Rate of Rise) Heat Detectors.

APPROVALS : Tested and approved to EN54 2000 Part 5 by the Loss Prevention Council



COMPATIBLE PRODUCTS

CONTROL PANELS

2005/02 President 2 Zone Conventional Fire Alarm Panel

2005/04 President 4 Zone Conventional Fire Alarm Panel

2005/08 President 8 Zone Conventional Fire Alarm Panel

REMOTE INDICATOR

2214 Remote LED Indicator

DETECTOR BASES

2266 Simple Detector Base

2267 Standard Detector Diode Base

SPECIFICATION

Order Code	2268
Operating Voltage	15 – 30v DC, Nominally 24v DC
Quiescent Current	Minimal
Alarm Current	40mA max at 24v DC
Operating Temperature	-10°C to +60°C
Material	Modified Polycarbonate
Colour	Ivory White
Weight	80g
Dimensions	98 Diameter x 45 Depth
Ingress Protection	IP67
Base Fixing Centres	70mm
Maximum Humidity	95% RH – non condensing (at 40°C)