

## 2345 DUCT DETECTION HOUSING

### APPLICATIONS

The 2345 Duct Detection Housing enables a standard photoelectric smoke detector or sensor to monitor the airflow within a duct for the presence of smoke.

Air flows from 1 to 10 m/s in ducts up to 600mm diameter/width may be monitored (or up to 1500mm diameter using the 2345LP).

Its design enables the smoke detector or sensor to be accessed or tested from outside the duct to ensure reliable operation.



### FEATURES

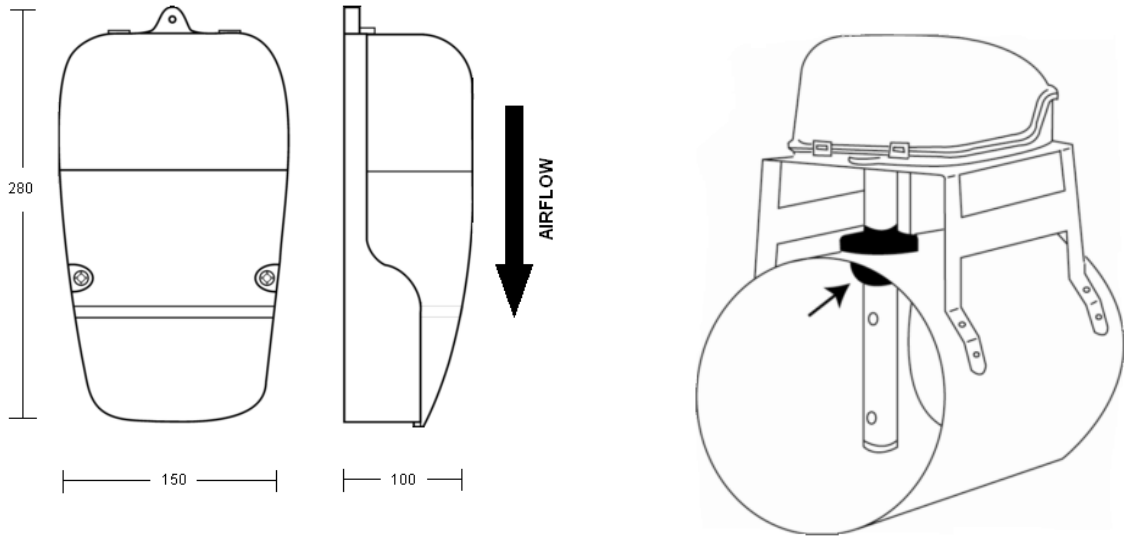
- Allows air duct sampling using standard detector or sensor
- Fits either square or round section ducting (with additional brackets)
- One-tube air sampling system
- Test hole on cover
- Simple Installation
- Sensitive flow indication
- Simple service and maintenance
- Installer-friendly connection of cables
- Easy installation of sampling tube

### OPERATION

The 2345 Duct Detection Housing uses an aspirating technique to continuously monitor airflow via a sampling pipe, which extends in the duct. Sampled air is drawn through the photoelectric smoke detector or sensor, enabling the presence of smoke to trigger the alarm. For efficient operation, the sampling pipe should extend almost the full width of the duct.

Housing enables simple access for maintenance purposes and the integral airflow indicator confirms that air is being drawn from the duct for sampling.

**APPROVALS :** According to the smoke detector installed



**SPECIFICATION**

<b>Order Code</b>	2345
<b>Operating Temperature</b>	-20°C to +50°C
<b>Material</b>	Green / ABS
<b>Weight</b>	640g
<b>Dimensions</b>	280 L x 150 W x 100 Depth
<b>Ingress Protection</b>	IP54
<b>Maximum Humidity</b>	99% RH – non condensing (at 40°C)