

## 2402 WP MANUAL CALL POINT (NON BS)

### APPLICATIONS

The 2402 Weatherproof Manual Call Point is suitable for use on conventional type fire alarm systems and is designed for use in environmental conditions where indoor models would not be suitable.

The model is sealed to IP67, achieved by fitting a series of special switches that have a sealed terminal enclosure. The 'No Glass' option makes it particularly useful in locations where glass fragments are unwelcome e.g., food factories and swimming pools. The unit is suitably rated up to 240v AC and offers both open and closed circuit configurations.

### FEATURES

- Plastic Coated Glass & No Glass Options
- Normally Open /Closed Contacts
- Full Test Function via Special Key
- Optional Hinged Cover Protects from Accidental Damage
- Rated to IP67 Top & Bottom Cable Entries



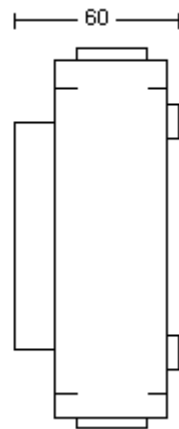
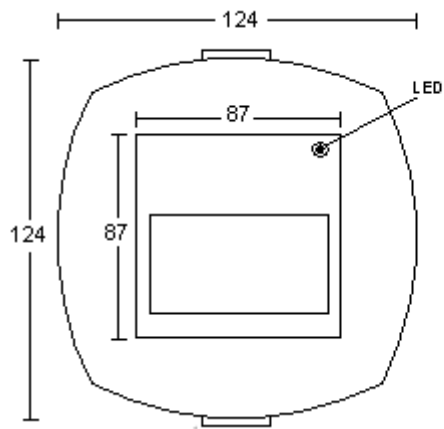
### OPERATION

With the 2402 WP Manual Call Point (Non-BS) switch is held 'off' by the edge of the glass. When the glass is broken with switch is released. This eliminates the risk of false alarms caused by glasses breaking on their own, and of glass fragments preventing the switch from moving to the operated position. The 2402 Weatherproof Call Point requires no hammer, as the plastic coated glass is designed to break vertically without splintering when 'finger pressure' is applied, without injury to the operator.

Testing is made easy with a special test key (Ref 2413) which is inserted into the side of the call point, causing the glass to move and then switch to be activated.

Alternative models are available in our range of manual call points including 240v AC open and closed circuit models. For applications in food factories or swimming pools etc, a flexible plastic element (Ref 2410) can be supplied in place of the standard glass insert (Ref 2408).

**APPROVALS :** Tested and approved to BS5839 Part 2 by the Loss Prevention Council



**CABLE ENTRY**

Cable entry is via 2 x 20mm diameter tapped entry holes, one is fitted with a \* plastic threaded hole stopper.

**SPECIFICATION**

<b>Order Code</b>	2402
<b>Operating Voltage</b>	24v DC
<b>Maximum Current</b>	35 uA at 24v DC
<b>Material</b>	Modified Polyphenylene Oxide
<b>Colour</b>	Red
<b>Contact Material</b>	Silver
<b>Weight</b>	450g
<b>Dimensions</b>	124 H x 124 W x 60 D
<b>Ingress Protection</b>	IP67