

2420 CONVENTIONAL MANUAL CALL POINT FASCIA

APPLICATIONS

The 2420 Conventional Manual Call Point Fascia is suitable for indoor use on conventional fire alarm systems. It provides single changeover switching and can be used in either normally open or normally closed circuits.



FEATURES

- Normally Open / Closed contacts
- Anti-tamper facility
- Fully approved to BSEN54 Part11
- Full Test Function via Special Key
- Frangible plastic element prevents Injury

OPERATION

With the 2420 Conventional Manual Call Point Fascia, the operating switch is held off by the edge of the frangible element. When the element is pushed, the switch is released. The 2420 call point requires no hammer, as the plastic element is designed to collapse inwards when 'finger pressure' is applied, without splintering and with no risk of injury to the operator.

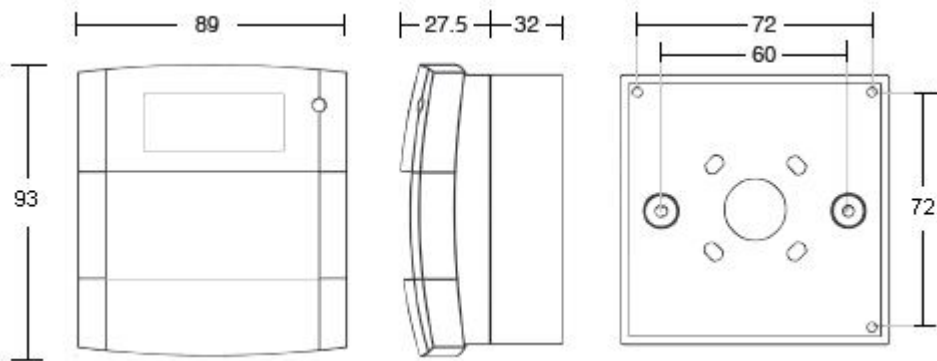
The new design of the manual call point utilises a special terminal block, where all initial installation cabling is terminated. This terminal block is then simply connected to the back of the manual call point. This concept reduces installation time and cost.

Through new standards and legislation, both the standard resettable operating plastic elements (Ref 2410A) and the optional break glass insert (Ref 2408) can be used within the manual call point, without the need for any additional parts or alternative products to be ordered.

The 2420 helps preserve the integrity of the overall system as illegal removal of the product lid will result in the call point operating and the system going into alarm.

Testing is made easy with a special test key (Ref 2413A) supplied with every call point. A flush mounting bezel (Ref 2409) or, alternatively a matching surface mounting box (Ref 2407) can both be supplied as optional extras.

APPROVALS: Fully approved to latest EN54-11 standard



SPECIFICATION	
Order Code	2420
Maximum Voltage	30VDC
Operating Temperature	-10°C to +55°C
Material	PC/ABS
Colour	Red
Weight	110g Flush 160g Surface
Dimensions	93 H x 89 W x 27.5 D (Recessed) 93 H x 89 W x 59.5 D (Surface)
Ingress Protection	IP24
Cable Termination	0.5 – 2.5mm ²
Maximum Humidity	95% RH – Non Condensing (at 40°C)