

2421 CONVENTIONAL WP MANUAL CALL POINT

APPLICATIONS

The 2421 Conventional WP Manual Call Point is suitable for external use on conventional fire alarm systems. It provides single changeover switching and can be used in either normally open or normally closed circuits.



FEATURES

- Normally Open / Closed contacts
- Anti-tamper facility
- Sealed to IP67
- Simple Installation
- Fully approved to BSEN54 Part11
- Full Test Function via Special Key
- Frangible plastic element prevents Injury

OPERATION

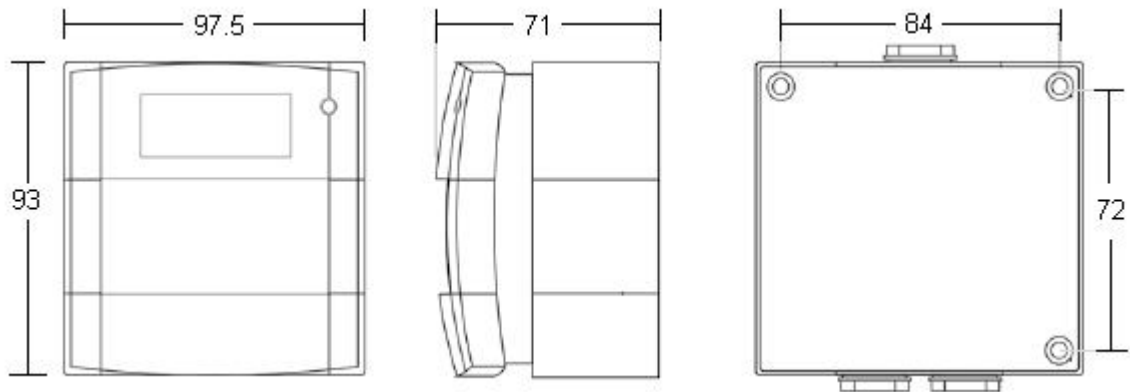
With the 2421 Conventional WP Manual Call Point Fascia, the operating switch is held off by the edge of the frangible element. When the element is pushed, the switch is released. The 2421 call point requires no hammer, as the plastic element is designed to collapse inwards when 'finger pressure' is applied, without splintering and with no risk of injury to the operator.

The new design of the manual call point utilises a special terminal block, where all initial installation cabling is terminated. This terminal block is then simply connected to the back of the manual call point. This concept reduces installation time and cost.

Through new standards and legislation, both the standard resettable operating plastic elements (Ref 2410A) and the optional break glass insert (Ref 2408) can be used within the manual call point, without the need for any additional parts or alternative products to be ordered.

Testing is made easy with a special test key (Ref 2413A) supplied with every call point.

APPROVALS: Fully approved to latest EN54-11 standard



SPECIFICATION

Order Code	2421
Maximum Voltage	30VDC
Operating Temperature	-30°C to +70°C
Material	PC/ABS
Colour	Red
Weight	240g
Dimensions	93 H x 89 W x 27.5 D (Recessed) 93 H x 89 W x 59.5 D (Surface)
Ingress Protection	IP67
Cable Termination	0.5 – 2.5mm ²
Maximum Humidity	95% RH – Non Condensing (at 40°C)