

2422 INTRINSICALLY SAFE CONVENTIONAL MANUAL CALL POINT

APPLICATIONS

The 2422 Intrinsically Safe Conventional Manual Call Point is used to manually raise the alarm in hazardous areas. It is suitable for indoor use on non-addressable type intrinsically safe fire alarm systems using suitable zener barriers.



FEATURES

- Backward compatibility
- Supports either a 'Frangible Glass' element or a 'Non Frangible Plastic' element
- Anti-Tamper facility
- Fully approved to latest standards

OPERATION

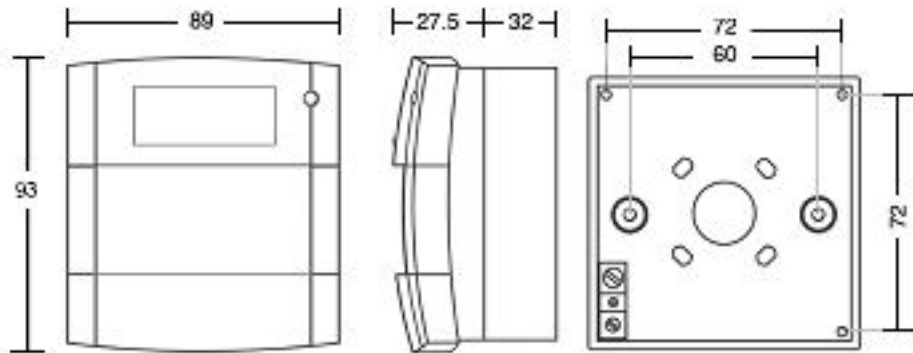
The 2422 Intrinsically Safe Conventional Manual Call Point design provides installation efficiency, flexibility and full compliance with the latest standards.

The new design of the manual call point utilises a special terminal block, where all initial installation cabling is terminated. This terminal block is then simply connected to the back of the manual call point. This concept reduces installation time and cost.

Through new standards and legislation, both the standard resettable operating plastic elements (Ref 2410A) and the optional break glass insert (Ref 2408) can be used within the manual call point without the need for any additional parts or alternative products to be ordered.

The 2422 helps preserve the integrity of the overall system as illegal removal of the product lid will result in the call point operating and the system going into alarm.

APPROVALS: Fully approved to latest EN54-11 standard



SPECIFICATION

Order Code	2422
Operating Voltage	15 – 30V
Operating Temperature	-30°C to + 70°C
Material	PC/ABS
Colour	Red
Weight	Flush 110g Recessed 160g
Dimensions Recessed (mm)	93 H x 89 W x 27.5 D
Dimensions Surface (mm)	93 H x 89 W x 59.5 D
Ingress Protection	IP24
Maximum Humidity	95% RH – Non Condensing (at 40°C)