

2424 ADDRESSABLE MANUAL CALL POINT

APPLICATIONS

The 2424 Addressable Manual Call Point is designed for use with our Addressable range of fire alarm equipment and provides a means of manually activating a fire alarm. The Call Point is typically installed at fire exits and other locations where manual activation of the fire alarm system may be required.



FEATURES

- Fast Response
- Status LED
- Non-frangible element fitted as standard (conforms to EN54)
- Surface or flush mounting
- Test function via special key
- Different colours available

OPERATION

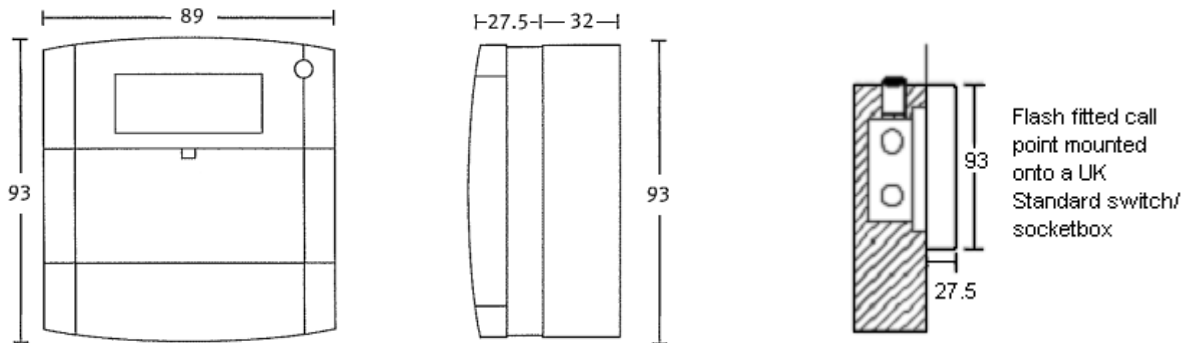
The 2424 Addressable Manual Call Point incorporates an address module which enables the device to be continuously monitored via the fire alarm control panel. The unit is addressed via a hand held programmer which allows the manual call point address to be set from 1 to 127 inclusive.

A red LED, mounted on the front cover, flashes when polled by the fire alarm control panel and is continuously lit when the call point is activated. Once activated, the call point module generates a high priority interrupt which allows the fire alarm control panel to respond very quickly. The manual call point may be tested without breaking the glass by inserting a test key into the aperture beneath the unit.

Through new standards and legislation, both the standard resettable operating plastic elements (Ref 2410A) and the optional break glass insert (Ref 2408) can be used within the manual call point without the need for any additional parts or alternative products to be ordered.

Other modules are available from our extensive range of manual call points.

APPROVALS : Tested and approved to BS5839 Part 2 by the Loss Prevention Council, LPCB EN 54-11:2001



SPECIFICATION	
Order Code	2424
Operating Voltage	Nominally 24v DC (17 – 41v DC)
Current Consumption	
Standby	Low Power Mode : 90uA (typical) Normal : 220 uA (typical)
Polling	22mA +/- 20%
Transmission Method	Digital Communication using ESP
Operating Temp Range	-10 ⁰ C to +50 ⁰ C
Material	Modified Polyphenylene Oxide
Colour	Red
Weight	110g (161g with surface mount back box)
Dimensions	89 W x 93 H x 27.5 D (recessed) 89 W x 93 H x 59.5 D (with surface back box)
Ingress Protection	IP24
Maximum Humidity	95% RH – Non Condensing (at 40°C)