

2631 BELL TONE MESSAGE SOUNDER**APPLICATIONS**

The 2631 Bell Tone Message Sounder provides a simple, cost-effective fully synchronised voice annunciation for evacuation and information broadcast.

The 2631 is designed for use in Healthcare applications where a bell signal combined with a voice message is required to avoid confusion or panic in emergency situations.

**FEATURES**

- 4 messages on 2 wires
- No special wiring
- Can be easily retro-fitted
- Fully synchronised over multi-zones
- Low current – average 20mA
- IP66 Deep Base version available
- Optional flashing LED beacon
- Ceiling or wall mounted
- Adjustable sound output

OPERATION

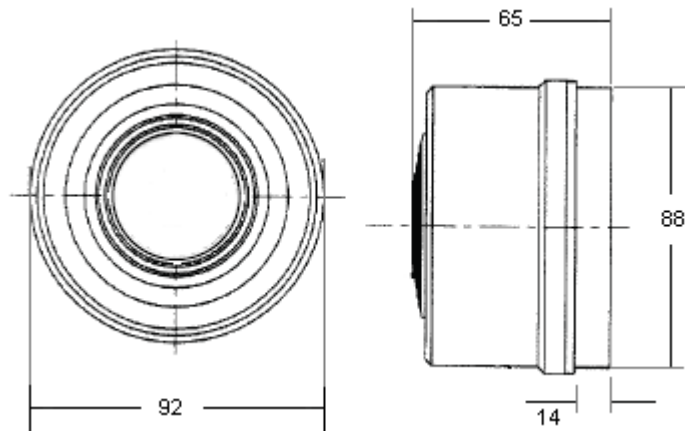
The 2631 Bell Tone Message Sounder is able to broadcast four alarm signals and associated messages on two wires, enabling its use with new or existing cables via a separate Voice Message Controller (VMC).

The VMC provides a switching interface between the fire alarm panel and alarm circuits to enable the appropriate message to be activated on each circuit of message sounders. The sound output is also adjustable to suit specific applications. A weatherproof version of the sounder (Ref 2635) can be supplied for external mounting, which comes with an IP66 rated Deep Base. In addition, a high output flashing LED beacon (Ref 2636) can be simply fitted between the sounder body and base to provide a visual alarm to satisfy DDA requirements.

A VMC may also be used with the 2816 Addressable Sounder Controllers to support Voice Enhanced operation on addressable fire alarm systems. This equipment enables the appropriate message to be triggered throughout the premises or in selected areas only, to suit specific applications. Standard messages enable the automatic broadcast of: -

- Bell Tone only (when used without VMC)
- Continuous Bell followed by evacuation message
- Intermittent Bell followed by alert message
- “Fire Alarm Test – No Action Required” message to avoid unnecessary disruption during testing
- “All Clear” message to confirm that fire alarm works are complete

APPROVALS : Designed to meet the requirements of BS5839 Part 1: 2002. Complies with European EMC legislation



SPECIFICATION

Order Code	2631
Operating Voltage	24 Vd.c. (nominal)
Current Consumption	18 mA
Sound Output	Bell Tone – 100dB at 1 metre Voice Message – 95dB at 1 metre
Voice Synchronisation	Via synchronisation interface or VMC
Number of Messages	4
Monitoring Method	Polarised Input
Operating Temperature	-25°C to +70°C
Connections	2 x 2 way 2.5 ² mm terminal blocks for loop in/out wiring
Material	Flame retardant ABS
Colour	Red or White (with red nose cap)
Weight	0.14kg
Dimensions (mm)	92 Diameter x 65 Depth
Ingress Protection	IP45 (Standard Base)