

## 2633 BELL TONE MESSAGE SOUNDER WAFER

### APPLICATIONS

The 2633 Bell Tone Message Sounder Wafer provides a simple, cost-effective fully synchronised voice annunciation for evacuation and information broadcast.

The discreet 2633 is designed for use in Healthcare applications where combining a bell signal with a clear unambiguous voice message is required to avoid panic or confusion in emergency situations.



### OPERATION

The 2633 Bell Tone Message Sounder Wafer is able to broadcast four alarm signals and associated messages on two wires, enabling its use with new or existing cables via a separate Voice Message Controller (VMC).

The VMC provides a switching interface between the fire alarm panel and alarm circuits to enable the appropriate message to be activated on each circuit of message sounders. The sound output is also adjustable to suit specific applications. The sound output is also adjustable to suit specific applications. A Spacer Ring (Ref 2637) is available as an optional extra, which is designed to allow the 2633 to be surface wired.

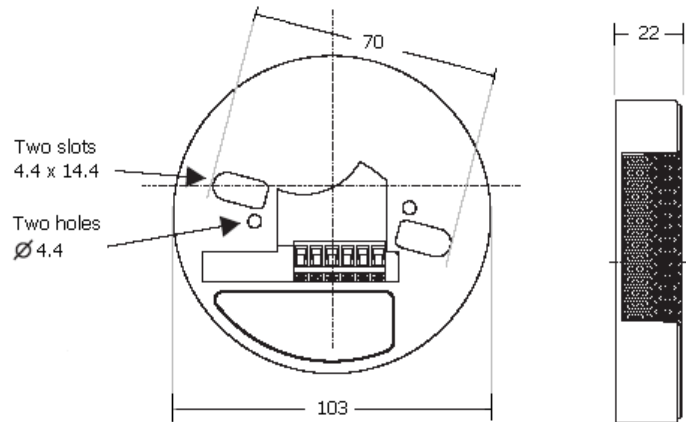
A VMC may also be used with the 2816 Addressable Sounder Controllers to support Voice Enhanced operation on addressable fire alarm systems. This equipment enables the appropriate message to be triggered throughout the premises or in selected areas only, to suit various applications. Standard messages enable the automatic broadcast of: -

### FEATURES

- 4 messages on 2 wires
- No special wiring
- Discreet mounting
- Can be easily retro-fitted
- Slim-line design
- Low current – typical 20mA
- Adjustable sound output

- Bell Tone only
- Continuous Bell followed by evacuation message
- Intermittent Bell followed by alert message
- “Fire Alarm Test – No Action Required” message to avoid unnecessary disruption during testing
- “All Clear” message to confirm that fire alarm works are complete

**APPROVALS** : Designed to meet the requirements of BS5839 Part 1: 2002. Complies with European EMC legislation



**SPECIFICATION**

<b>Order Code</b>	2633
<b>Operating Voltage</b>	24 Vd.c. (nominal)
<b>Current Consumption</b>	20 mA
<b>Sound Output</b>	Bell Tone – 90dB at 1 metre Voice Message – 86dB at 1 metre
<b>Voice Synchronisation</b>	Via synchronisation interface or VMC
<b>Number of Messages</b>	4
<b>Monitoring Method</b>	Polarised Input
<b>Operating Temperature</b>	-25°C to +70°C
<b>Connections</b>	2 x 2 way 2.5 <sup>2</sup> mm terminal blocks for loop in/out wiring
<b>Material</b>	Flame retardant ABS
<b>Colour</b>	White
<b>Weight</b>	0.11kg (0.15kg with base)
<b>Dimensions (mm)</b>	103 Diameter x 22 Depth



**APPROVALS** : Designed to meet the requirements of BS5839 Part 1: 2002. Compiles with European EMC legislation