

## 2634 MESSAGE SOUNDER (IP66)

### APPLICATIONS

The 2634 Message Sounder (IP66) provides a simple, cost-effective fully synchronised voice annunciation for all forms of evacuation and information broadcast.

The use of voice enhanced alarm sounders is intended to avoid confusion or panic by combining the normal sounder signal with a clear unambiguous voice message. This type of sounder is ideal for use in premises where the public have access such as shopping centre, nightclubs and hospital outpatients departments, etc.

### FEATURES

- 4 messages on 2 wires
- No special wiring
- Can be easily retro-fitted
- Fully synchronised over multi-zones
- Extensive message library
- Coded and bespoke message options
- Low current – average 20mA
- IP66 Deep Base
- Optional Flashing LED Beacon
- Ceiling or wall mounted
- Adjustable sound output



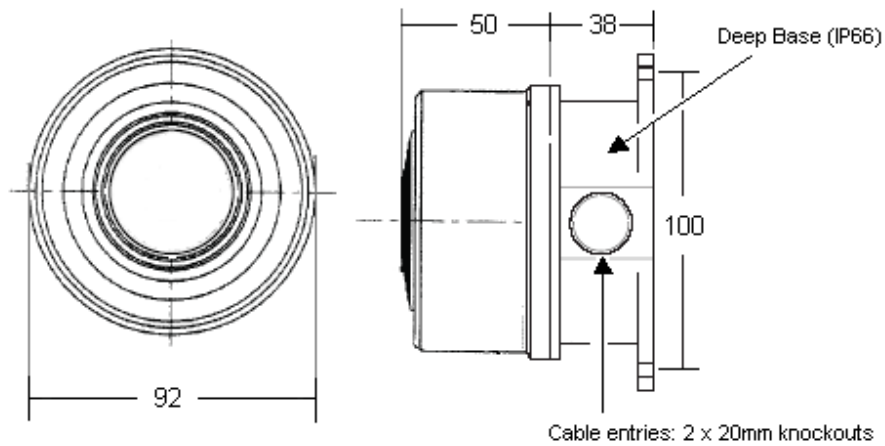
### OPERATION

The 2634 Message Sounder (IP66) is able to broadcast four alarm signals and associated messages on two wires, enabling its use with new or existing cables via a separate Voice Message Controller (VMC).

The VMC provides a switching interface between the fire alarm panel and alarm circuits to enable the appropriate message to be activated on each circuit of message sounder. The sound output is also adjustable to suit specific applications. A standard version of the message sounder (Ref 2630) can be supplied, which is rated IP45 and suitable for internal use. In addition, a high output flashing LED beacon (Ref 2636) can be easily fitted between the sounder body and base to provide a visual alarm to satisfy DDA requirements.

A VMC may also be used with the 2816 Addressable Sounder Controllers to support Voice Enhanced operation on addressable fire alarm systems. This equipment enables the appropriate message to be triggered throughout the premises or in selected areas only, to suit specific applications. The user can select the desired output signal from an extensive range of alarm sounds and voice messages.

**APPROVALS** : Designed to meet the requirements of BS5839 Part 1: 2002. Complies with European EMC legislation



**SPECIFICATION**

<b>Order Code</b>	2634
<b>Operating Voltage</b>	24 Vd.c. (nominal)
<b>Current Consumption</b>	18 mA
<b>Sound Output</b>	Bell Tone – 100dB at 1 metre Voice Message – 95dB at 1 metre
<b>Voice Synchronisation</b>	Via synchronisation interface or VMC
<b>Number of Messages</b>	4
<b>Monitoring Method</b>	Polarised Input
<b>Operating Temperature</b>	-25°C to +70°C
<b>Connections</b>	2 x 2 way 2.5 <sup>2</sup> mm terminal blocks for loop in/out wiring
<b>Material</b>	Flame retardant ABS
<b>Colour</b>	Red or White (with red nose cap)
<b>Weight</b>	0.18kg
<b>Dimensions (mm)</b>	92 Diameter x 89 Depth
<b>Ingress Protection</b>	IP66 (Deep Base)



**APPROVALS** : Designed to meet the requirements of BS5839 Part 1: 2002. Compiles with European EMC legislation