

**2635 BELL TONE MESSAGE SOUNDER (IP66)****APPLICATIONS**

The 2635 Bell Tone Message Sounder (IP66) provides a simple, cost-effective fully synchronised voice annunciation for evacuation and information broadcast.

The 2635 is designed for external use in Healthcare applications where a bell signal combined with a voice message is required to avoid confusion or panic in emergency situations.

**FEATURES**

- 4 messages on 2 wires
- No special wiring
- Can be easily retro-fitted
- Fully synchronised over multi-zones
- Low current – average 20mA
- IP66 Deep Base
- Optional flashing LED beacon
- Ceiling or wall mounted
- Adjustable sound output

**OPERATION**

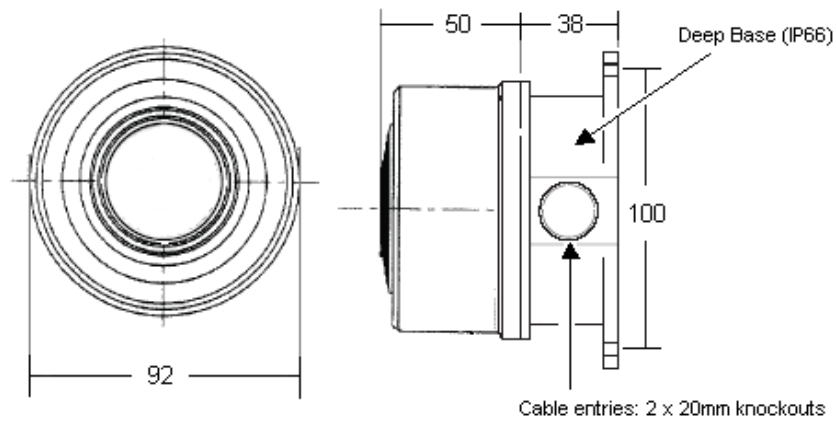
The 2635 Bell Tone Message Sounder (IP66) is able to broadcast four alarm signals and associated messages on two wires, enabling its use with new or existing cables via a separate Voice Message Controller (VMC).

The VMC provides a switching interface between the fire alarm panel and alarm circuits to enable the appropriate message to be activated on each circuit of message sounders. The sound output is also adjustable to suit specific applications. A standard version of the Bell Tone Message Sounder (Ref 2631) can be supplied, which is rated IP45 and suitable for internal use. In addition, a high output flashing LED beacon (Ref 2636) can be simply fitted between the sounder body and base to provide a visual alarm to satisfy DDA requirements.

A VMC may also be used with the 2816 Addressable Sounder Controllers to support Voice Enhanced operation on addressable fire alarm systems. This equipment enables the appropriate message to be triggered throughout the premises or in selected areas only, to suit specific applications. Standard messages enable the automatic broadcast of: -

- Bell Tone only (when used without VMC)
- Continuous Bell followed by evacuation message
- Intermittent Bell followed by alert message
- “Fire Alarm Test – No Action Required” message to avoid unnecessary disruption during testing
- “All Clear” message to confirm that fire alarm works are complete

**APPROVALS** : Designed to meet the requirements of BS5839 Part 1: 2002. Complies with European EMC legislation



<b>SPECIFICATION</b>	
<b>Order Code</b>	2635
<b>Operating Voltage</b>	24 Vd.c. (nominal)
<b>Current Consumption</b>	18 mA
<b>Sound Output</b>	Bell Tone – 100dB at 1 metre Voice Message – 95dB at 1 metre
<b>Voice Synchronisation</b>	Via synchronisation interface or VMC
<b>Number of Messages</b>	4
<b>Monitoring Method</b>	Polarised Input
<b>Operating Temperature</b>	-25°C to +70°C
<b>Connections</b>	2 x 2 way 2.5 <sup>2</sup> mm terminal blocks for loop in/out wiring
<b>Material</b>	Flame retardant ABS
<b>Colour</b>	Red or White (with red nose cap)
<b>Weight</b>	0.18kg
<b>Dimensions (mm)</b>	92 Diameter x 89 Depth
<b>Ingress Protection</b>	IP66 (Deep Base)